

DS-K4T100

Electric Bolt

DS-K4T100 electric bolt is designed for normal glass door, wooden door and metal door. All kinds of products with accessories are provided for frameless glass door and narrow door (opens both sides). It is designed with special photoelectric control and features of ultra-cold and ultralow-consumption features.



AVAILABLE MODEL

DS-K4T100

MAIN FEATURES

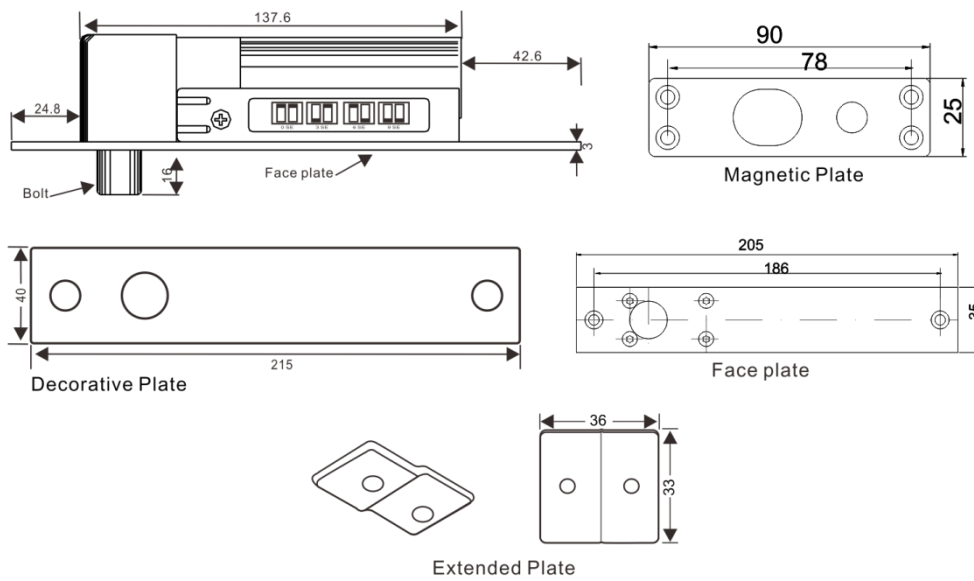
- Photoelectric control technique to avoid mechanical failure;
- Ultra-cold design and ultralow-consumption to make the electric bolt safer and more durable;
- 500 thousand times of locking operation.
- Equipped with internal voltage dependent resistor (MOV);
- Equipped with smart one-chip;
- The main body and bolt of the electric strike is made up of alloy and stainless steel respectively;
- The delay duration can be set: 0/3/6/9s

SPECIFICATIONS

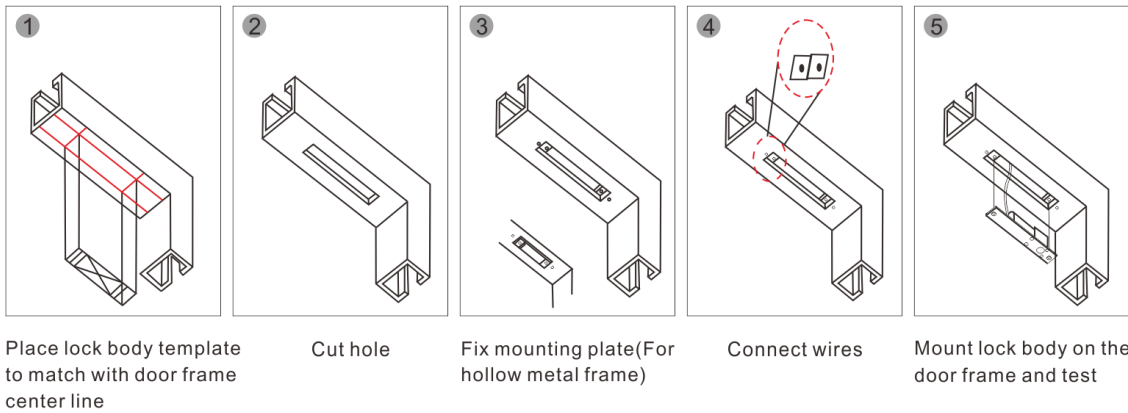
Model	DS-K4T100
Dimension of Plate (L×W×H)	205×35×40mm (8.07×1.38×1.57")
Dimension of Strike (L×W×H)	90×25×2mm (3.54×0.98×0.07")
Dimension of Bolt	16mm×16mm (0.63×0.63")
Bolt Performance	Polished and Brushed Stainless Steel, Support Thrust of 800kg
Input Voltage	12VDC+10%
Working Current	900mA (Startup Current) 100mA (Standby)
Secure	Power Off for Unlocking
Signal Output	Signal Output NC, COM Contact of Door-status

Model	DS-K4T100
Suitable Doors	Wooden Door, Glass Door, Metal Door, Fireproof Door
Delay Duration	0/3/6/9s Optional
Magnetic Induction Distance	8mm (0.31")
Working Temperature	-10°C to +55°C (14°F to 131°F)
Working Humidity	0 to 95% (Relative Humidity)
Lifetime	500 Thousand Times of Locking Operation
Weight	0.7kg(1.54lb)

Dimension



Installation



Installation Schematic



Wiring Diagram

