

DS-KH6320-WTE2 Indoor Station



Key Feature

- Two-pin wire for power supply and network access
- UI V2.0: User friendly design
- 7-inch colorful touch screen with resolution 1024 × 600
- 2-ch transmission plan
- Stores messages and captured pictures in the TF card
- Remote unlocking via the client software or the mobile client
- Views live videos of door stations and linked cameras
- Supports wireless network

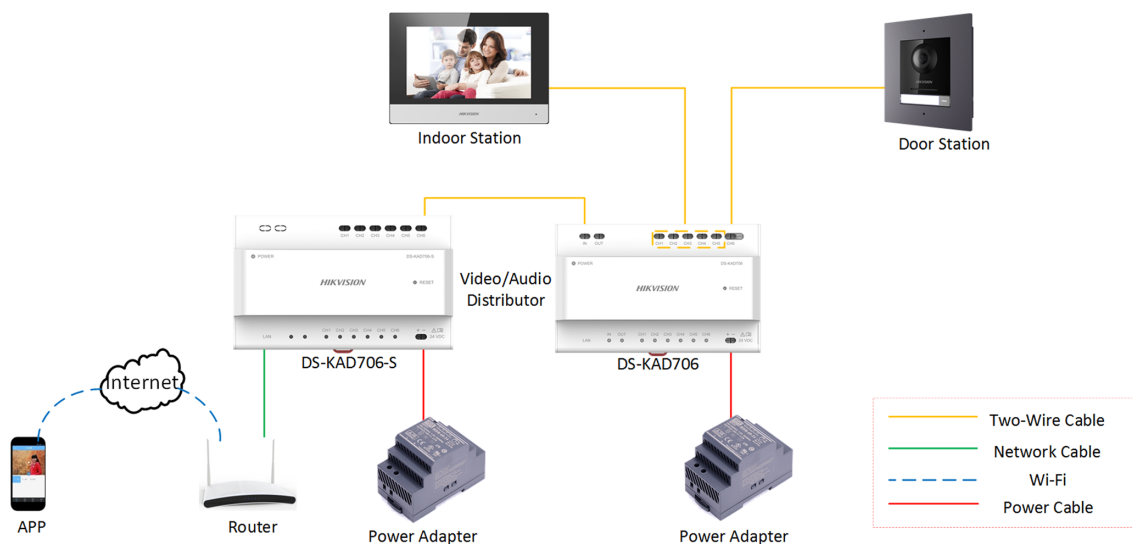
Specification

| Model | DS-KH6320-WTE2 | |
|---------|---------------------------|--------------------------------------|
| System | Processor basic frequency | 1 G |
| | Memory | 128 MB |
| | Flash | 16 MB (32 MB hardware compatibility) |
| | Operation system | Embedded Linux operation system |
| Display | Display screen | 7-inch TFT LCD |
| | Display resolution | 1024 × 600 |
| | Operation method | Capacitive touch |
| Audio | Audio Input | Build-in omnidirectional microphone |
| | Audio output | Built-in loudspeaker |
| | Volume | Local or software control |



| Model | | DS-KH6320-WTE2 |
|----------------------|----------------------------|---|
| | Audio compression standard | G.711 U |
| | Audio compression rate | 64 Kbps |
| | Audio quality | Noise suppression and echo cancellation |
| Network | Wired network | BroadR-Reach |
| | Wireless network | Wi-Fi 802.11b/g/n |
| | Protocol | TCP/IP, SIP, RTSP |
| Interface | Network interface | Two-wire interface |
| | RS-485 | 1 |
| | Alarm input | 8 zones alarm input |
| | Relay output | 2 |
| | TF card | Support, Max. 32 GB |
| | Power interface | Two-wire interface |
| Extended Application | Mobile client | Support |
| | Indoor call elevator | Support |
| | IPC | Support |
| General | Power supply mode | Two-wire |
| | Power consumption | ≤ 6 W |
| | Working temperature | -10 °C to 50 °C (-14 °F to 122 °F) |
| | Working humidity | 0% to 90% |
| | Dimensions (W × H × D) | 200 mm × 140 mm × 15.1 mm (7.87" × 5.51" × 0.59") |

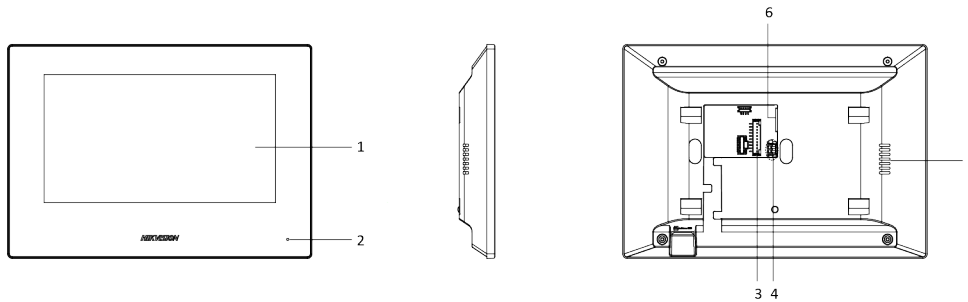
Typical Application



Available Model

DS-KH6320-WTE2

Physical Interface



| No. | Description |
|-----|------------------------------------|
| 1 | Display Screen |
| 2 | Microphone |
| 3 | Alarm Terminal |
| 4 | Power Interface |
| 5 | Loudspeaker |
| 6 | Network Interface and Power Supply |

Distributed by



HIKVISION®

Headquarters

No.555 Qianmo Road, Binjiang District,
Hangzhou 310051, China
T +86-571-8807-5998
overseasbusiness@hikvision.com

Hikvision USA
T +1-909-895-0400
sales.usa@hikvision.com

Hikvision Australia
T +61-2-8599-4233
salesau@hikvision.com

Hikvision India
T +91-22-28469900
sales@pramahikvision.com

Hikvision Canada
T +1-866-200-6690
sales.canada@hikvision.com

Hikvision Thailand
T +662-275-9949
sales.thailand@hikvision.com

Hikvision Europe
T +31-23-5542770
sales.eu@hikvision.com

Hikvision Italy
T +39-0438-6902
info.it@hikvision.com

Hikvision Brazil
T +55 11 3318-0050
Latam.support@hikvision.com

Hikvision Turkey
T +90 (216)521 7070- 7074
sales.tr@hikvision.com

Hikvision Malaysia
T +601-7652-2413
sales.my@hikvision.com

Hikvision UK & Ireland
T +01628-902140
sales.uk@hikvision.com

Hikvision South Africa
Tel: +27 (10) 0351172
sale.africa@hikvision.com

Hikvision France
T +33(0)1-85-330-450
info.fr@hikvision.com

Hikvision Kazakhstan
T +7-727-9730667
nikia.panfilov@hikvision.ru

Hikvision Vietnam
T +84-974270888
sales.vt@hikvision.com

Hikvision UAE
T +971-4-4432090
salesme@hikvision.com

Hikvision Singapore
T +65-6684-4718
sg@hikvision.com

Hikvision Spain
T +34-91-737-16-55
info.es@hikvision.com

Hikvision Tashkent
T +99-87-1238-9438
uzb@hikvision.ru

Hikvision Hong Kong
T +852-2151-1761
info.hk@hikvision.com

Hikvision Russia
T +7-495-669-67-99
saleru@hikvision.com

Hikvision Korea
T +82-(0)31-731-8817
sales.korea@hikvision.com

Hikvision Poland
T +48-22-460-01-50
info.pl@hikvision.com

Hikvision Indonesia
T +62-21-2933759
Sales.Indonesia@hikvision.com

Hikvision Colombia
sales.colombia@hikvision.com