

PASSIVE INFRARED DETECTOR

FMX Series

STANDARD MODEL

FMX-ST

SUPERIOR MODEL

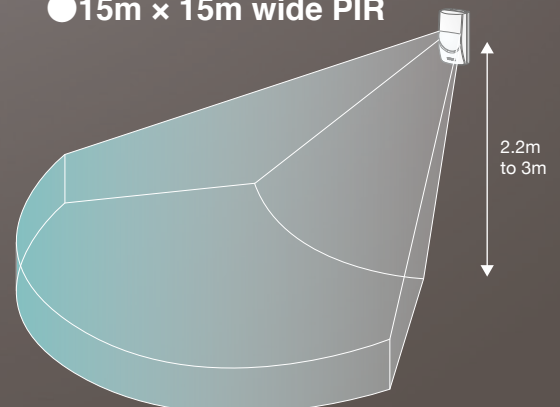
FMX-DST

Ease of handling

High performance PIR indoor presence and intrusion sensor for high-end residential and light commercial application. The FMX series features Plug-in End of Line Unit (PEU) for easier and quicker installation. The FMX-DST model provides extra stability in environment with strong sunlight.

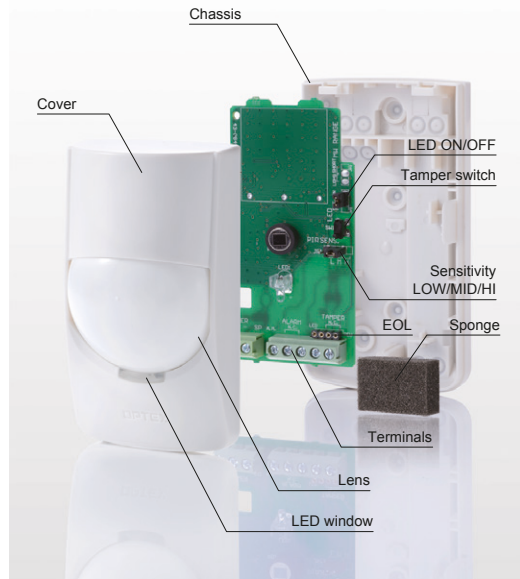
Grade 2
EN50131-2-2

● 15m × 15m wide PIR

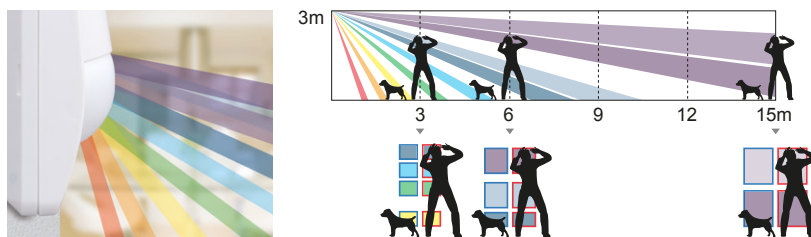


PASSIVE INFRARED DETECTOR

FMX-ST/-DST



DIGITALQUAD ZONE LOGIC



FMX has 78 dense zones to cover the whole detection area. At any spot within the detection area more than 4 (quad) zones are utilised to verify if an alarm should be generated or not. Additionally, the CORE processor used in the FMX series enables to improve the Quad Zone Logic by providing digital quantification of infrared energy. This enhances the accuracy level to differentiate between human or small animals.

SELECTABLE Plug-in End of line Unit (OPTION)

Item	Alarm	Tamper	Panels
PEU-B	4.7K	4.7K	Old GE/Aritech
PEU-C	1.1K	1.1K	Honeywell Galaxy (U.K.)
PEU-D	1.1K	1.1K	Honeywell Galaxy (Benelux)
PEU-E	1.1K	1.1K	Satel
PEU-F	5.6K	5.6K	DSC
PEU-G	8.2K	8.2K	Guardall
PEU-H	4.7K	2.2K	Old Texecom, Cooper, Scantronics etc.
PEU-I	3.3K	3.3K	New Texecom, NetworX, Inim
PEU-J	6.8K	4.7K	Risco ProSYS
PEU-K	1.0K	1.0K	Siemens SPC

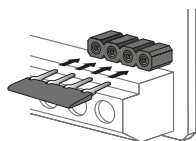
The names of the alarm panels mentioned above are for indication only. Please check with the panel manufacturer the PEU value required for each panel.

KEY FEATURES

- Pet tolerance
- Digital Quad Zone logic (intelligent analysis)
- Remote LED control
- Noise reduction
- Advanced sealed optics
- Advanced temperature compensation logic
- Double conductive filter (FMX-DST only)

OPTION

Plug-in End of line unit
PEU



Mounting bracket
FA-3



Multi angle wall & ceiling bracket



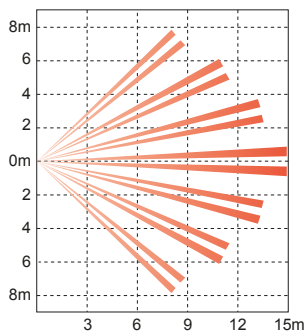
Ceiling mount



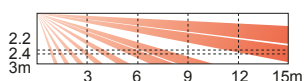
Wall mount

COVERAGE

■ TOP VIEW



■ SIDE VIEW

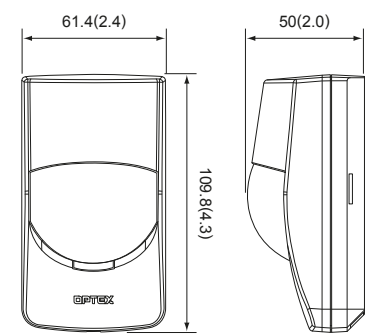


SPECIFICATIONS

Model	FMX-ST/-DST *
Detection method	Passive infrared
Coverage	15 m x 15 m (50 ft x 50 ft) 85°wide
Detection zones	78 zones
Mounting height	2.2 to 3.0 m (7.3 to 10.0 ft)
LED alarm indicator	Switchable ON/OFF
Alarm period	Approx. 2.5 sec
Alarm output	N.C., 24 VDC 0.2 A max.
Tamper switch	N.C., Open when cover is removed.
Tamper output	28 VDC 0.1 A max.
Sensitivity/range	Switchable LOW/MID/Hi
Warm up period	Approx. 60 sec (LED blinks.)
Power input	9.5 to 16 VDC
Current draw	8 mA (normal), 11 mA (max.) at 12 VDC
Dimensions	111.7 mm x 61.4 mm x 50.0 mm <HxWxD>
Weight	Approx. 100 g
Operating temperature	-20°C to +50°C (-4°F to +122°F)
Environmental humidity	95% max.
RF interference	No alarm 10 V/m

* FMX-DST is equipped with the Double Conductive Filter. Specifications and design are subject to change without prior notice.

DIMENSIONS



Unit:mm(inch)



OPTEX CO., LTD. (JAPAN)

URL: <http://www.optex.net/>

OPTEX INC. (U.S.)

URL: <http://www.optexamerica.com/>

OPTEX DO BRASIL LTDA. (Brazil)

URL: <http://www.optex.net/br/es/sec/>

OPTEX (EUROPE) LTD. / EMEA HQ (U.K.)

URL: <http://www.optex-europe.com/>

OPTEX TECHNOLOGIES B.V. (The Netherlands)

URL: <http://www.optex.eu/>

OPTEX SECURITY SAS (France)

URL: <http://www.optex-security.com/>

OPTEX SECURITY Sp.z o.o. (Poland)

URL: <http://www.optex.com.pl/>

OPTEX PINNACLE INDIA, PVT., LTD. (India)

URL: <http://www.optex.net/in/en/sec/>

OPTEX KOREA CO.,LTD. (Korea)

URL: <http://www.optexkorea.com/>

OPTEX (DONGGUAN) CO.,LTD. SHANGHAI OFFICE (China)

URL: <http://www.optexchina.com/>