

HE-100X Series



Double PIR Detectors for Windows and Doors

- Selectable 1 or 2 pulse count
- AND/OR selectable operating function
- Alarm LED indicator selectable ON/OFF
- Tamper switch
- Fresnel lenses
- Automatic temperature compensation
- Low current version for wireless systems (with optional wireless transmitter)
- Antimasking and Dual-tech antimasking versions available



MADE IN ITALY

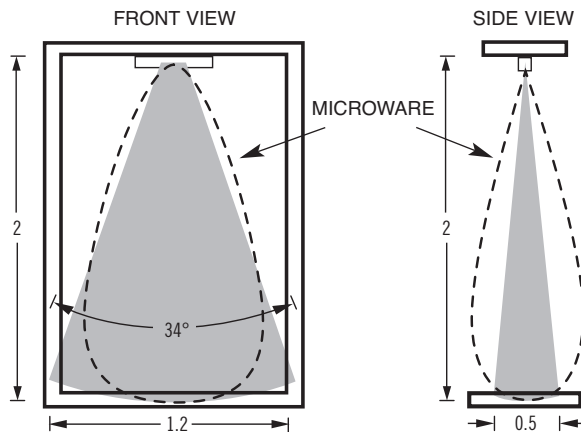


DESCRIPTION

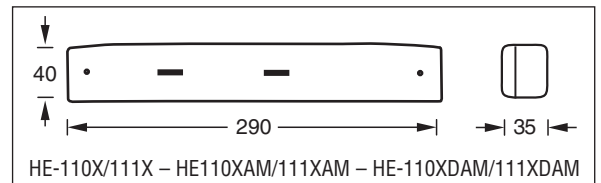
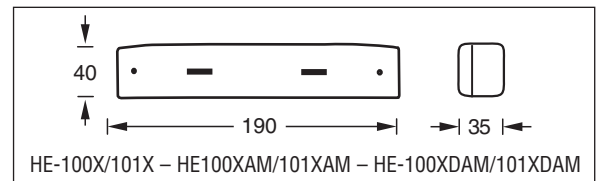
Designed to be mounted on the top side of windows and doors to be protected, HE-100X series offers two PIR sensors with narrow curtain coverage. A Dual-tech antimasking version with microwave antenna is available in both hardwired and battery operated models.



DETECTION RANGE



DIMENSIONS (mm)



SPECIFICATIONS

Model	HE-100X	HE-101X	HE-100XAM	HE101XAM	HE-100XDAM	HE101XDAM	HE-110X	HE-111X	HE-110XAM	HE111XAM	HE-110XDAM	HE111XDAM
Power input	11.5 ~ 15.5VDC						from 3.6VDC to 6VDC					
Current drain stand-by	10 mA						30µA			30µA		
alarm	3 mA						800µA			20mA		
Frequency microwave	-						24 GHz			24 GHz		
Range microwave	-						4 m			4 m		
Detection zones							4					
Alarm output	N.C. relay max 100 mA@60VDC						open collector 100mA@50VDC					
Tamper/Anti Mask							N.C.					
Alarm LED Indicator							ON/OFF selectable					
Operating temperature							-20°C ~ +50°C					
Operating humidity							85% max					
IP rating							IP55					
Colour	White	Brown	White	Brown	White	Brown	White	Brown	White	Brown	White	Brown



Hardwired model		Low current models (no built-in transmitter)	
CODE	MODEL	CODE	MODEL
HE100X	HE-100X	HE110X	HE-110X
HE101X	HE-101X	HE111X	HE-111X
HE100XAM	HE-100XAM	HE110XAM	HE-110XAM
HE101XAM	HE-101XAM	HE111XAM	HE-111XAM
HE100XDAM	HE-100XDAM	HE110XDAM	HE-110XDAM
HE101XDAM	HE-101XDAM	HE111XDAM	HE-111XDAM



HESA S.p.A.

Via Triboniano, 25 - 20156 Milano - Italy - Tel. +39.02.380361 - Fax. +39.02.38036701
www.hesa.com • e-mail: hesa@hesa.com