

DS-2CE79D3T-IT3ZF 2 MP EXIR Turret Camera



Key Feature

- 2 MP high-performance CMOS
- Ultra low light
- 1920 × 1080 resolution
- 2.7 mm to 13.5 mm motorized varifocal lens, auto focus
- EXIR 2.0, smart IR, up to 70 m IR distance
- OSD menu, 3D DNR, 120 dB true WDR, day/night switch
- 4 in 1 video output (switchable TVI/AHD/CVI/CVBS)
- IP67
- Up the coax (HIKVISION-C)



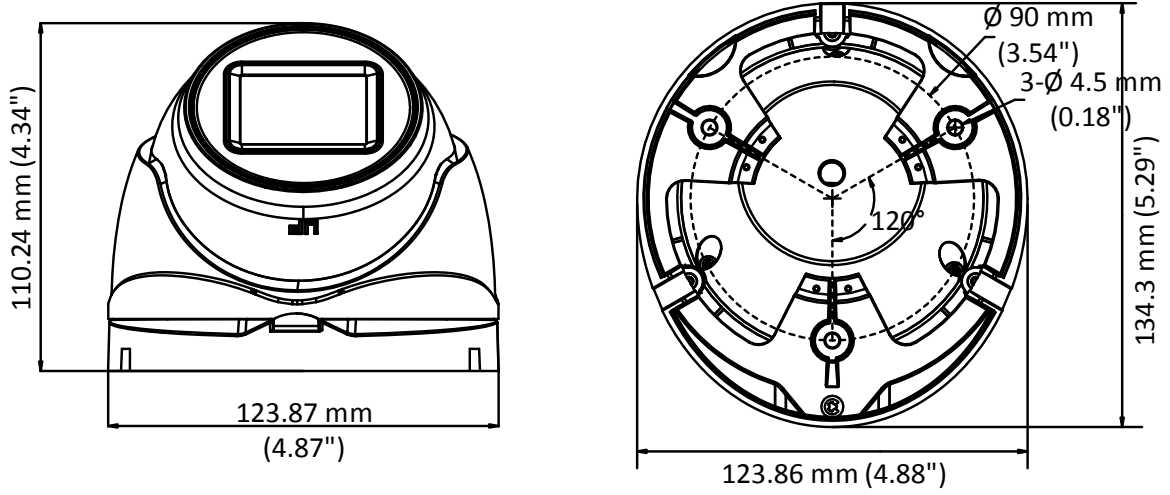
Specification

| Camera | |
|------------------------------|---|
| Image Sensor | 2.0 megapixel progressive scan CMOS |
| Signal System | PAL/NTSC |
| Video Frame Rate | PAL: 1080p@25fps NTSC: 1080p@30fps |
| Resolution | 1920 (H) ×1080 (V) |
| Min. Illumination | 0.005 Lux@(F1.2, AGC ON), 0 Lux with IR |
| Shutter Time | PAL: 1/25 s to 1/50, 000 s NTSC: 1/30 s to 1/50, 000 s |
| Slow Shutter | Max. 16 times |
| Lens | 2.7 mm to 13.5 mm |
| Horizontal Field of View | 102° to 31° |
| Lens Mount | Φ 14 |
| Day & Night | IR cut filter |
| Angle Adjustment | Pan: 0° to 360°, Tilt: 0° to 75°, Rotation: 0° to 360° |
| Synchronization | Internal synchronization |
| WDR (Wide Dynamic Range) | ≥ 120 dB |
| Menu | |
| AGC | High/Medium/Low |
| D/N Mode | Auto/Color/BW (Black and White) |
| Image Mode | STD/HIGH-SAT |
| HLC (Highlight Compensation) | Yes |
| BLC (Backlight Compensation) | Yes |
| WDR | Yes |
| 3D DNR | Level 1 to 9 |
| Language | English |
| Functions | Brightness, Sharpness, 3D DNR, Mirror, Smart IR |
| Interface | |
| Video Output | 1 HD analog output |
| Switch Button | TVI/AHD/CVI/CVBS |
| General | |
| Operating Conditions | -40 °C to 60 °C (-40 °F to 140 °F), Humidity: 90% or less (non-condensation) |
| Power Supply | 12 VDC ±25% <i>*You are recommended to use one power adapter to supply the power for one camera.</i> |
| Power Consumption | Max. 7.7 W |
| Protection Level | IP67 |
| Material | Metal |
| IR Range | Up to 70 m |
| Dimensions | 123.87 mm × 110.24 mm × 134.3 mm (4.87" × 4.34" × 5.29") |
| Weight | Approx. 600 g (1.32 lb.) |

Order Model

DS-2CE79D3T-IT3ZF

Dimension



Accessory



DS-1273ZJ-130-TRL
Wall Mount



DS-1275ZJ-SUS
Vertical Pole Mount



DS-1276ZJ-SUS
Corner Mount



DS-1280ZJ-M
Junction Box



DS-1281ZJ-M
Inclined Ceiling Mount

Distributed by



HIKVISION®

Headquarters

No.555 Qianmo Road, Binjiang District,
Hangzhou 310051, China
T +86-571-8807-5998
overseasbusiness@hikvision.com

Hikvision USA
T +1-909-895-0400
sales.usa@hikvision.com

Hikvision Australia
T +61-2-8599-4233
salesau@hikvision.com

Hikvision India
T +91-22-28469900
sales@pramahikvision.com

Hikvision Canada
T +1-866-200-6690
sales.canada@hikvision.com

Hikvision Thailand
T +662-275-9949
sales.thailand@hikvision.com

Hikvision Europe
T +31-23-5542770
sales.eu@hikvision.com

Hikvision Italy
T +39-0438-6902
info.it@hikvision.com

Hikvision Brazil
T +55 11 3318-0050
Latam.support@hikvision.com

Hikvision Turkey
T +90 (216)521 7070- 7074
sales.tr@hikvision.com

Hikvision Malaysia
T +601-7652-2413
sales.my@hikvision.com

Hikvision UK & Ireland
T +01628-902140
sales.uk@hikvision.com

Hikvision South Africa
Tel: +27 (10) 0351172
sale.africa@hikvision.com

Hikvision France
T +33(0)1-85-330-450
info.fr@hikvision.com

Hikvision Kazakhstan
T +7-727-9730667
nikia.panfilov@hikvision.ru

Hikvision Vietnam
T +84-974270888
sales.vt@hikvision.com

Hikvision UAE
T +971-4-4432090
salesme@hikvision.com

Hikvision Singapore
T +65-6684-4718
sg@hikvision.com

Hikvision Spain
T +34-91-737-16-55
info.es@hikvision.com

Hikvision Tashkent
T +99-87-1238-9438
uzb@hikvision.ru

Hikvision Hong Kong
T +852-2151-1761
info.hk@hikvision.com

Hikvision Russia
T +7-495-669-67-99
saleru@hikvision.com

Hikvision Korea
T +82-(0)31-731-8817
sales.korea@hikvision.com

Hikvision Poland
T +48-22-460-01-50
info.pl@hikvision.com

Hikvision Indonesia
T +62-21-2933759
Sales.Indonesia@hikvision.com

Hikvision Colombia
sales.colombia@hikvision.com